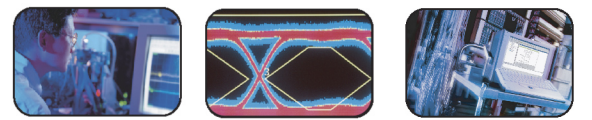
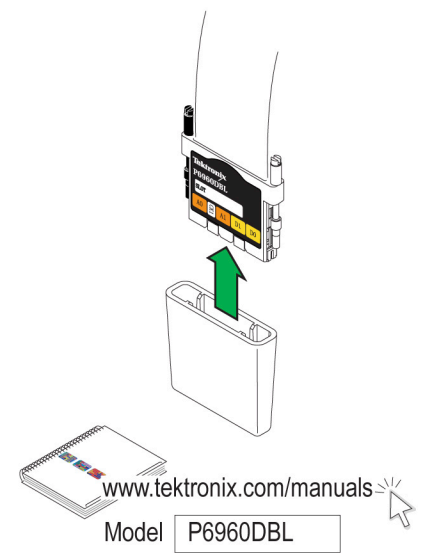
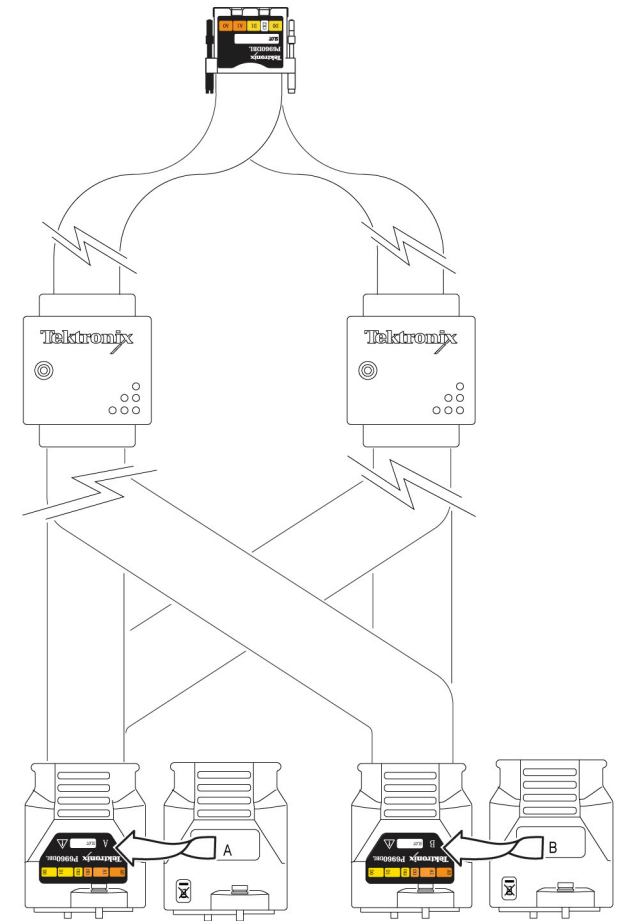
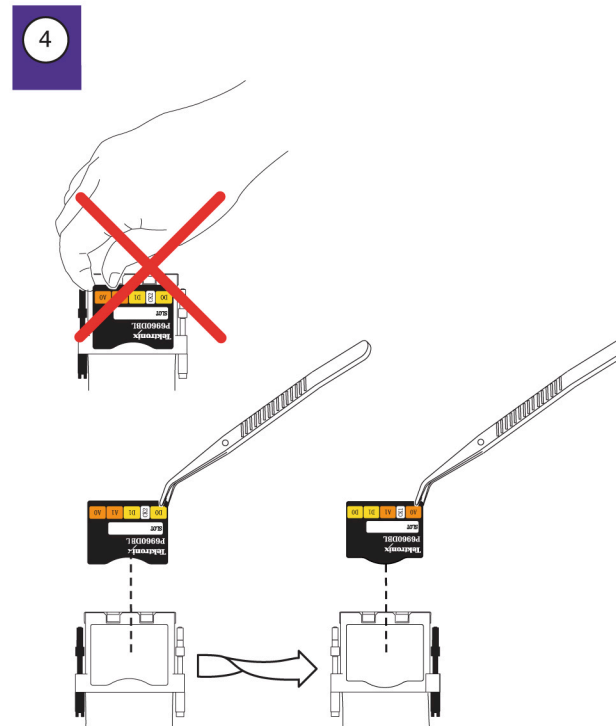
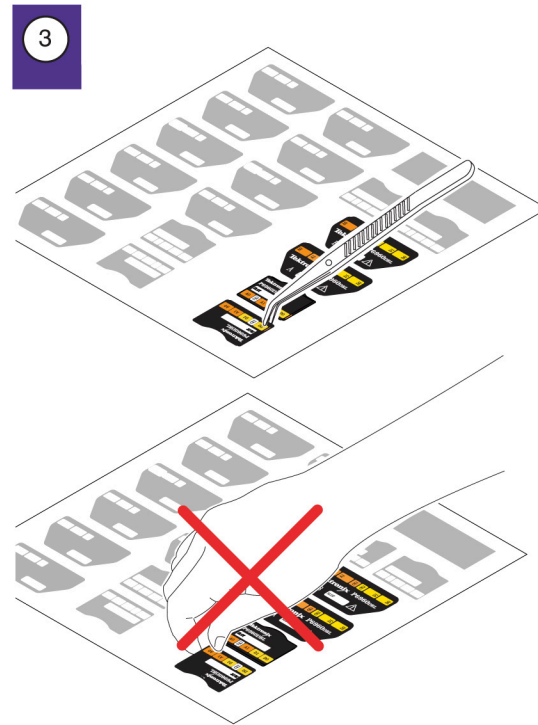
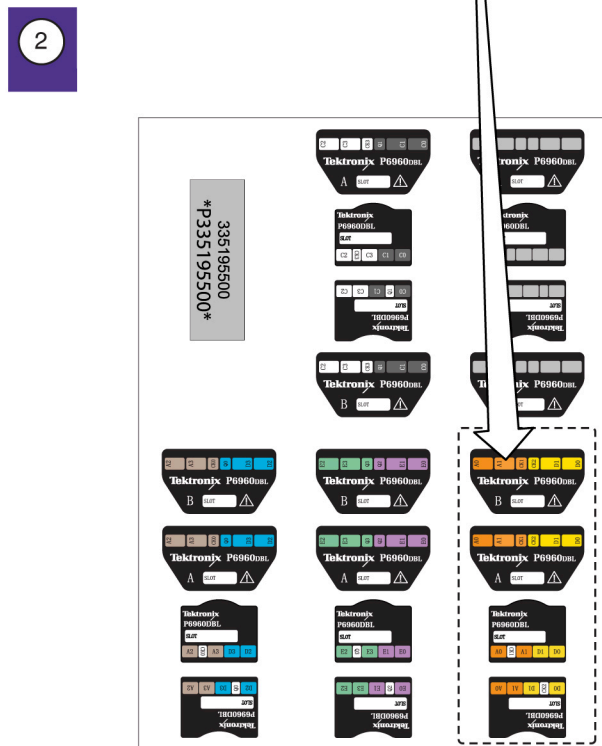
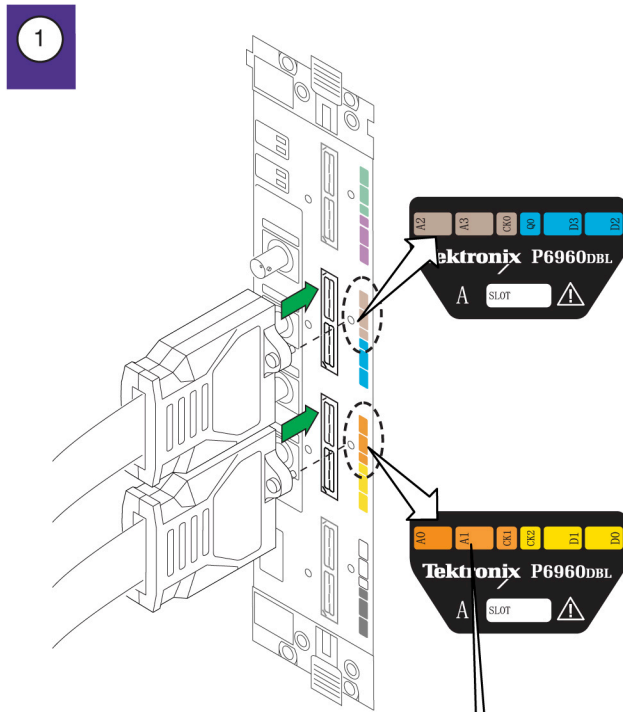
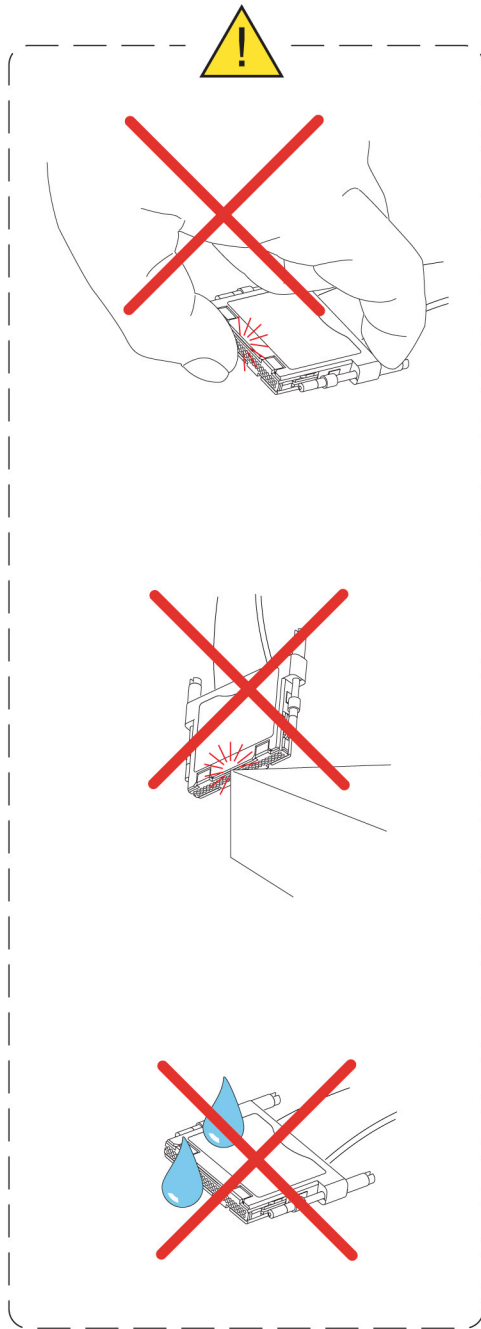


P6960DBL
High Density Single-Ended
Logic Analyzer Probe
with D-Max™ Probing Technology
Labeling and Installation





www.tektronix.com/manuals
Model P6960DBL